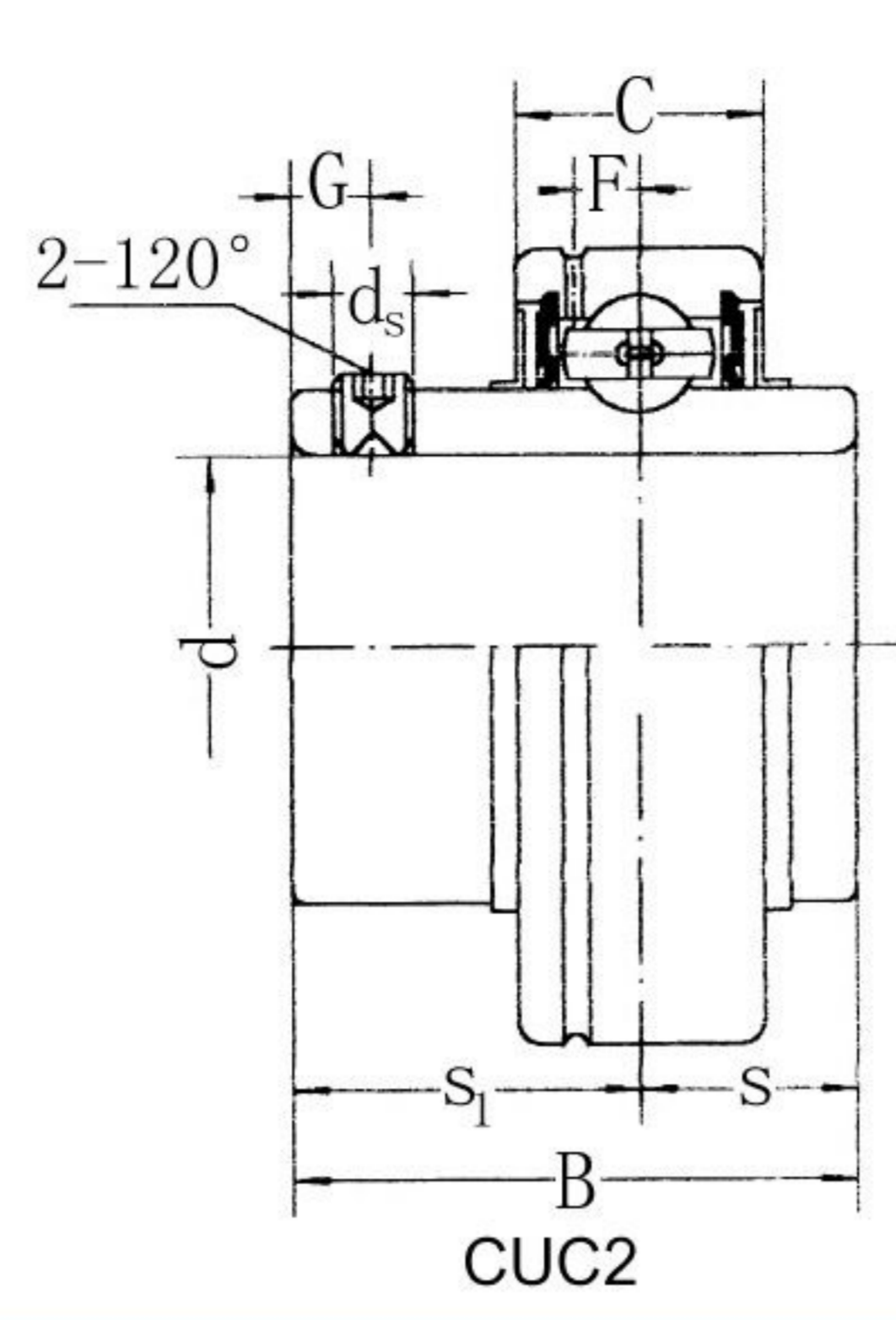
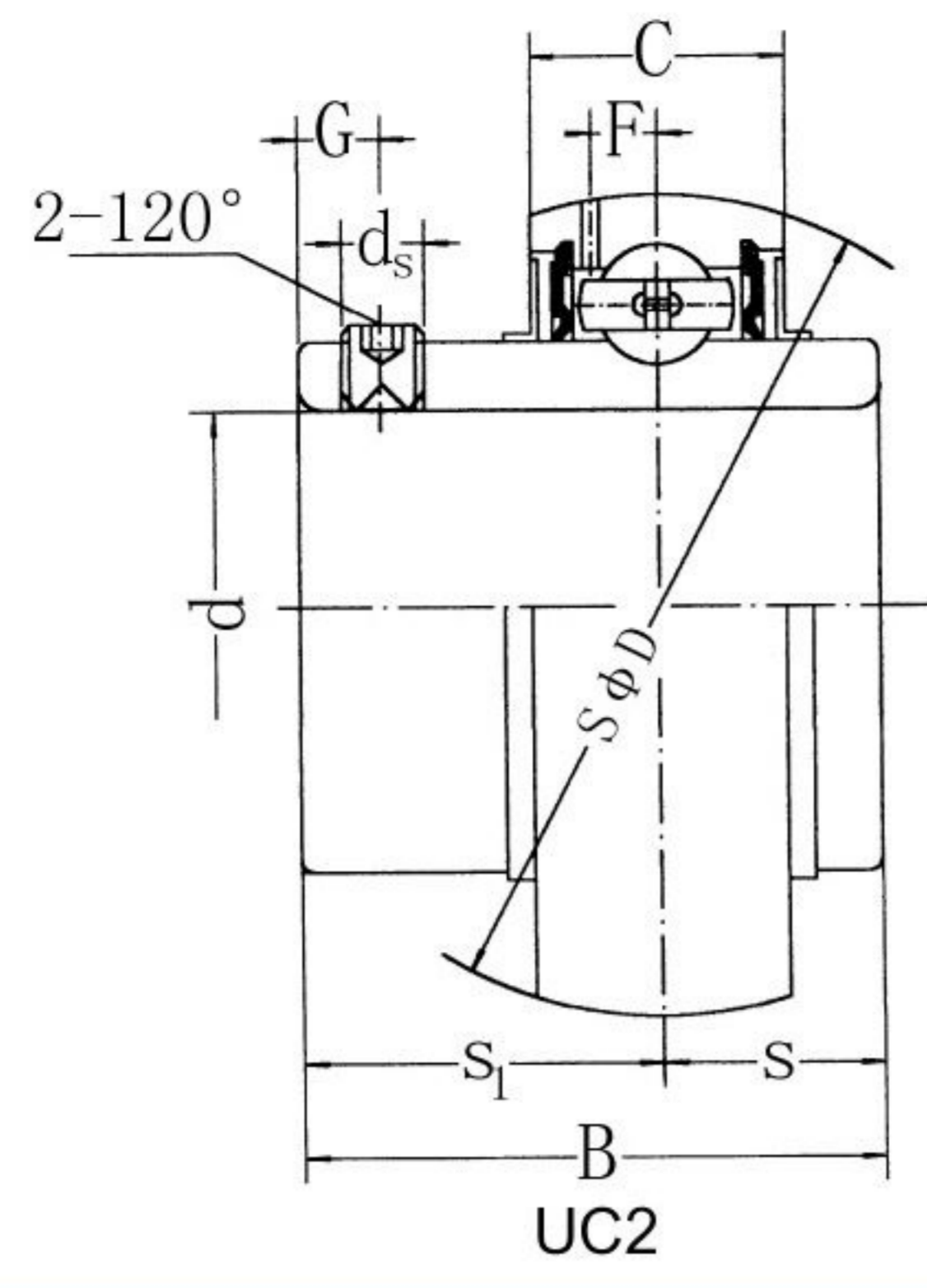
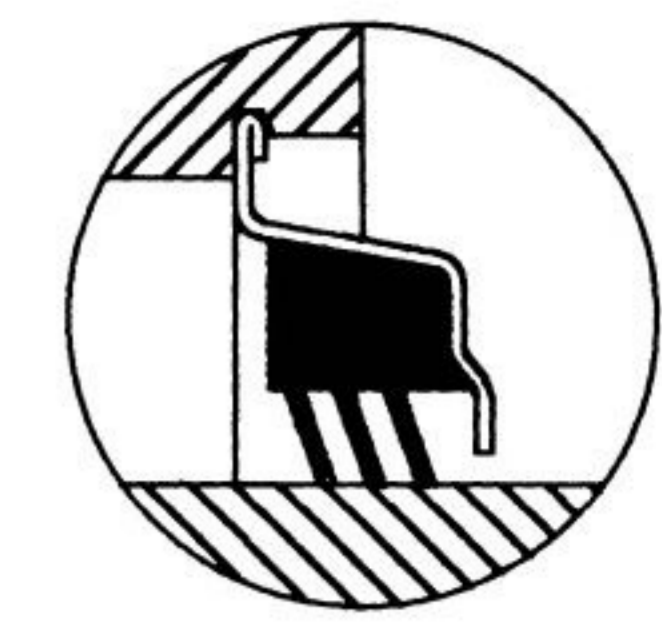


Ball Bearings



SL TYPE SEAL



L3 TYPE SEAL

Suttix UNF: Inch sized set screws

Bearing No.	Dimensions mm In.									Dynamic load ratings N	static load ratings N	Weight (kg)				
	d	D	B	C	S	S <sub>1</sub>	G	d <sub>s</sub>	F							
UCS201 UCS201-8	12 1/2	40	27.4	14	11.5	15.9	4	m5x0.8	3.7	9600	4600	0.12				
UCS202	15											0.11				
UCS202-9 UCS202-10	9/16 5/8											0.11 0.11				
UCS203 UCS203-11	17 11/16											0.10 0.10				
UC201 UC201-8	12 1/2	47	31	17	12.7	18.3	4.8	M6 x 1	3.7			12800	6650	0.20		
UC202	15													0.19		
UC202-9 UC202-10	9/16 5/8													0.19 0.19		
UC203 UC203-11	17 11/16													0.18 0.17		
UC204 UC204-12	20 3/4	1.8504	1.2205	0.6693	0.500	0.720	0.189	1/4-28UNF	0.146					14000	7850	0.16
UC205	25															0.24
UC205-13 UC205-14 UC205-15 UC205-16	13/16 7/8 15/16 1															0.23 0.21 0.20
UC206 UC206-17 UC206-18 UC206-19 UC206-20	30 1-1/16 1-1/8 1-3/16 1-1/4									0.32 0.33 0.34 0.32 0.31						
UC207 UC207-20 UC207-21 UC207-22 UC207-23	35 1-1/4 1-5/16 1-3/8 1-7/16	2.8346	1.6890	0.7874	0.689	1.000	0.276	5/16-24UNF	0.224	25700	15300					0.48
UC208	40															0.54
UC208-24 UC208-25	1-1/2 1-9/16															0.51 0.48
UC209	45											0.45				
UC209-26 UC209-27 UC209-28	1-5/8 1-11/16 1-3/4	3.3465	1.9370	0.8661	0.748	1.189	0.315	5/16-24UNF	0.252			31600	20600			0.68
UC210	50															0.78
UC210-29 UC210-30 UC210-31 UC210-32	1-13/16 1-7/8 1-15/16 2															0.74 0.87 0.82 0.78
UC211 UC211-32 UC211-33 UC211-34 UC211-35	55 2 2-1/16 2-1/8 2-3/16													1.11 1.26 1.20 1.15 1.09		
UC212 UC212-36 UC212-37 UC212-38 UC212-39	60 2-1/4 2-5/16 2-3/8 2-7/16	4.3307	2.5630	1.0630	1.000	1.563	0.394	3/8-24UNF	0.299					477000	32900	1.54
UC213	65															1.67
UC213-40 UC213-41	2-1/2 2-9/16															1.59 1.52
UC214 UC214-42 UC214-43 UC214-44	70 2-5/8 2-11/16 2-3/4									1.45 2.05 2.26 2.16 2.06						
UC215 UC215-45 UC215-46 UC215-47 UC215-48	75 2-13/16 2-7/8 2-15/16 3	5.1181	3.0630	1.1811	1.311	1.752	0.472	7/16-20UNF	0.362	66000	49500					2.21
UC216	80															2.46
UC216-49 UC216-50 UC216-51	3-1/16 3-1/8 3-3/16															2.35 2.24 2.12
UC217	85											2.80				
UC217-52 UC217-53 UC217-55	3-1/4 3-5/16 3-7/16	5.9055	3.3740	1.3386	1.343	2.031	0.472	7/16-20UNF	0.402			83500	64000			3.46
UC218	90															3.68
UC218-56	3-1/2															3.54 3.25 4.36 4.47